

For Residential and Commercial Applications

Job Name _____

Contractor _____

Job Location _____

Approval _____

Engineer _____

Contractor's P.O. No. _____

Approval _____

Representative _____

Series GBV

2-Piece, Brass Gas Ball Valves

Sizes: $\frac{3}{8}$ " – 1" (10 – 25mm)

Series GBV 2-Piece, Brass Gas Ball Valves are used in residential and commercial applications for manufactured natural gas and LP gas on in-house and indoor piping systems. They feature a brass ball and stem, PTFE seats and packing, brass end piece and plug, and zinc alloy handle. Series GBV complies with ANSI standards for gas piping and is UL, CSA, and MEA approved.



GBV

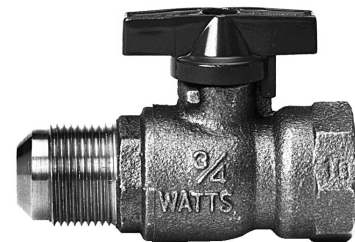
Features

- 2-piece body
- UL approved @ 5psi (34.2 kPa)
- Approved by CSA @ $\frac{1}{2}$, 2 and 5psi (3, 14 and 34 kPa)
- Tested under standards Z21.15 IAS requirement

Models

GBV $\frac{3}{8}$ " – 1" (10 – 25mm) threaded female NPT end connections and tee handle

GBV-FL $\frac{1}{2}$ " x $\frac{3}{8}$ ", $\frac{1}{2}$ " x $\frac{1}{2}$ ", $\frac{3}{4}$ " x $\frac{15}{16}$ " (15 x 10, 15 x 15, 20 x 24mm) threaded female NPT x flare end connections and tee handle



GBV-FL

Specifications

A 2-piece, brass gas ball valve to be installed as indicated on the plans. The valve must have PTFE seats, brass stem, ball and body. Pressure rating no less than 5psi (34 kPa) WOG non-shock. Valve shall be a Watts Regulator Company Series GBV.

Pressure – Temperature

Temperature Range: -20° F – 125° F (-29° C – 52° C)

Maximum Working Pressure: 5psi (34 kPa) WOG non-shock

Approvals

CSA approved 1/2, 2 and 5psi (3, 14 and 34 kPa)

UL approved @ 5psi (34 kPa)

MEA approved for City of NY 288-92-E



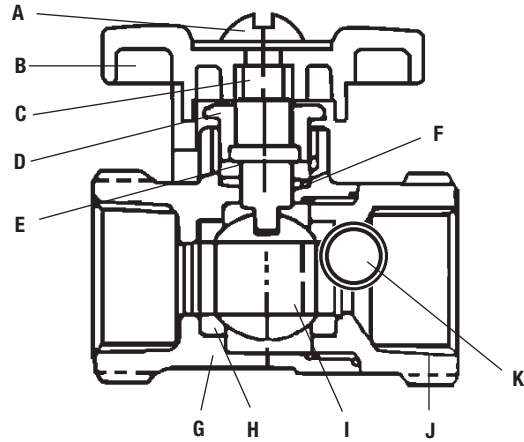
Flow Capacities

3/8" and 1/2" @ 295 ft³/hr.

3/4" @ 790 ft³/hr.

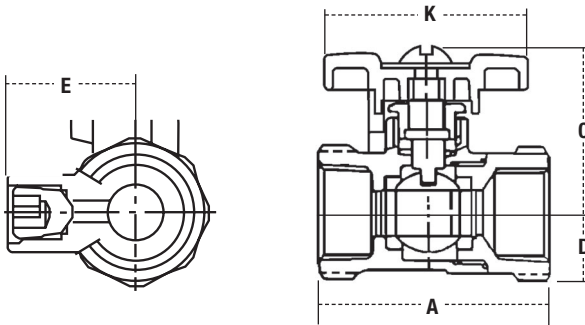
1" @ 1,200 ft³/hr.

Materials



A	Screw	Steel AISI 1010
B	Handle	Zinc Alloy ASTM B86
C	Stem	Brass ASTM B16, C36000
D	Stem Gland Screw	Brass ASTM B16, C36000
E	Gland	Brass ASTM B16, C36000
F	Gland Packing	PTFE
G	Body	Brass ASTM B124, C37700
H	Seats	PTFE
I	Ball	Brass ASTM B124, C37700 or ASTM B16, C36000
J	End Piece	Brass ASTM B124, C37700
K	Plug	Brass ASTM B16, C3600

Dimensions — Weights



MODEL	SIZE (DN)		DIMENSIONS										WEIGHT	
	in.	mm	A		C		D		K		E		lbs.	kg.
			in.	mm	in.	mm	in.	mm	in.	mm	in.	mm		
GBV	3/8	10	1 13/16	46	1 3/8	35	3/8	10	1 3/4	45	–	–	.41	.19
GBV	1/2	15	2 3/16	55	1 3/8	35	3/8	10	1 3/4	45	–	–	.51	.23
GBV	3/4	20	2 7/16	62	1 7/16	36	9/16	15	1 3/4	45	–	–	.73	.33
GBV	1	25	2 7/8	73	1 9/16	40	13/16	20	1 3/4	45	–	–	.59	.27
GBV-FL	1/2 x 3/8	15 x 10	2 7/16	62	1 1/4	32	1/2	13	1 3/4	45	–	–	.53	.24
GBV-FL	1/2 x 1/2	15 x 15	2 1/2	64	1 1/4	32	1/2	13	1 3/4	45	–	–	.58	.26
GBV-FL	3/4 x 1 1/16	20 x 24	3 1/16	77	1 7/16	36	5/8	16	1 3/4	45	–	–	.86	.39



Water Safety & Flow Control Products



ISO 9001-2000
CERTIFIED

USA: 815 Chestnut St., No. Andover, MA 01845-6098; www.watts.com

Canada: 5435 North Service Rd., Burlington, ONT. L7L 5H7; www.wattscanada.ca