

For Commercial Applications

Job Name _____

Job Location _____

Engineer _____

Approval _____

Tag _____

Contractor _____

Approval _____

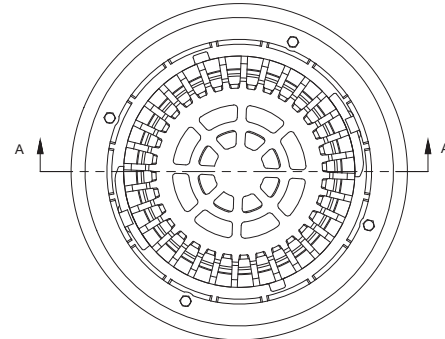
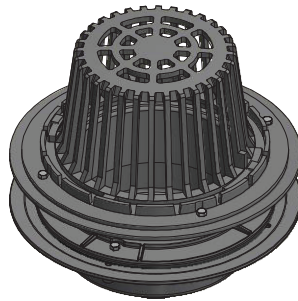
Contractor's P.O. No. _____

Representative _____

RD-300-AC

Adjustable Extension Compression Seal Roof Drain Specification

Watts adjustable roof drain RD-300-AC allows for adjustment from 1" to 3.125". It utilizes a compression seal instead of threads. The drain is made of epoxy coated cast iron drain and flashing clamp, with integral gravel stop, self-locking polyethylene dome (standard), and no hub (standard) outlet



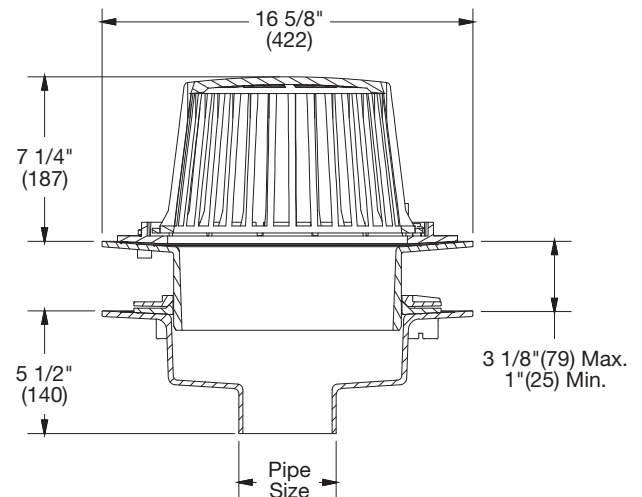
Pipe Sizing (Select One)		
Suffix	Description	
2	2"(51) Pipe Size (NH Only)	<input type="checkbox"/>
3	3"(76) Pipe Size	<input type="checkbox"/>
4	4"(102) Pipe Size	<input type="checkbox"/>
5	5"(127) Pipe Size (NH Only)	<input type="checkbox"/>
6	6"(152) Pipe Size	<input type="checkbox"/>
8	8"(203) Pipe Size	<input type="checkbox"/>
10	10"(254) Pipe Size (NH Only)	<input type="checkbox"/>

Outlet Type (Select One)		
Suffix	Description	
NH	No Hub (MJ)	<input type="checkbox"/>
P	Push On	<input type="checkbox"/>
X	Inside Caulk	<input type="checkbox"/>

Options (Select One or More)		
Suffix	Description	
-13	Galvanized Body & Clamp	<input type="checkbox"/>
-B	Sump Receiver	<input type="checkbox"/>
-D	Underdeck Clamp	<input type="checkbox"/>
-F	Deck Flange/Adj. Extension	<input type="checkbox"/>
-GSS	Stainless Steel Ballast Guard	<input type="checkbox"/>
-K	Ductile Iron Dome	<input type="checkbox"/>
-K13	Galvanized Dome	<input type="checkbox"/>
-K40	Ductile Iron Low Dome (4" High)	<input type="checkbox"/>
-K80	Aluminum Dome	<input type="checkbox"/>
-K81	Rough Bronze Dome	<input type="checkbox"/>
-K83	SS Mesh Covered Dome	<input type="checkbox"/>
-L	Vandal Proof Dome	<input type="checkbox"/>
-R	2" External Water Dam	<input type="checkbox"/>
-SSH	Stainless Steel Hardware	<input type="checkbox"/>
-US	Buy American Compliant	<input type="checkbox"/>
-W	Adj. Internal Water Dam	<input type="checkbox"/>
-85	IRMA Perf. SS Extension	<input type="checkbox"/>

Free Area Sq. In.
137

Deck Opening 14 1/2"(368)
with sump receiver 18"(457)



NOTICE

The information contained herein is not intended to replace the full product installation and safety information available or the experience of a trained product installer. You are required to thoroughly read all installation instructions and product safety information before beginning the installation of this product.

Watts product specifications in U.S. customary units and metric are approximate and are provided for reference only. For precise measurements, please contact Watts Technical Service. Watts reserves the right to change or modify product design, construction, specifications, or materials without prior notice and without incurring any obligation to make such changes and modifications on Watts products previously or subsequently sold.

