

PUSH-FITTING SYSTEM

64_Q series

Fit Quick™

Item # Submitted	_____
Job Name	_____
Location	_____
Engineer	_____
Contractor	_____
PO#	_____ TAG _____

SPECIFICATION

Sioux Chief Fit Quick push-fitting system shall be used where simple, quick, and safe plumbing connections are needed in repair/remodel or new construction applications. For no-crimp, no-glue, and no-solder CTS piping connections. Connects CPVC, PEX, and Copper in any iteration. Fittings and valves shall be certified by ASSE 1061/NSF 61 and shall be listed to meet cUPC requirements. Fit Quick fittings and valves shall incorporate a release collar, a stainless steel grab ring, a tube alignment bearing, and an EPDM o-ring.

MATERIALS

- body: 365 brass
- o-ring: high-density EPDM
- grab ring: stainless steel
- release collar: acetyl
- protection/alignment bearing: acetyl
- tube insert: PPSU

WORKING PRESSURE

200 psi

MAX TEMPERATURE

200°F

CERTIFICATIONS

- ASSE 1061/NSF 61
- cUPC®

INSTALLATION

<p>1 Cut tube</p>	<p>2 Ream then deburr</p>	<p>3 Mark Insertion Depth:</p> <p>1/2" = 1" 3/4" = 1 1/4" 1" = 1 3/4"</p>
<p>4 Insert tube</p> <p>insert stiffener when using PEX tube</p>	<p>Disconnect If necessary</p> <p>snap disconnect tool over tube and against fitting</p> <p>squeeze tool against fitting and pull apart using a twisting motion</p>	



645QB2



600QB306



641QB333



647QB2



647QB2E



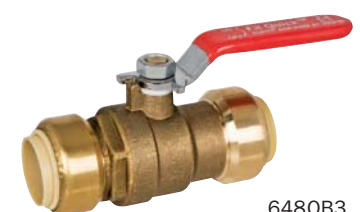
646QB3



642QB4



605QB3



648QB3

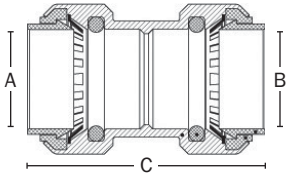


648QB220A



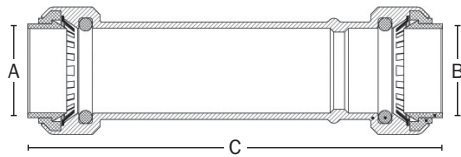
305Q4

PUSH-FITTING SYSTEM



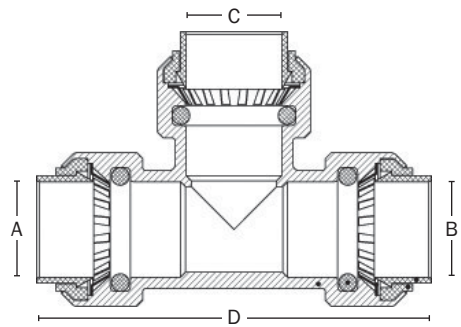
COUPLING DIMENSION

A (nominal)	B (nominal)	C
1/2"	1/2"	1.91"
3/4"	3/4"	2.12"
3/4"	1/2"	2.04"
1"	1"	2.62"
1"	3/4"	2.43"
1 1/4"	1 1/4"	3.32"
1 1/2"	1 1/2"	3.51"
2"	2"	3.76"



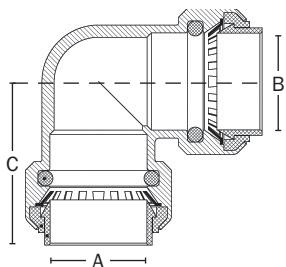
SLIP COUPLING DIMENSION

A	B (nominal)	C
1/2" slip	1/2"	4.45"
3/4" slip	3/4"	4.4"
1" slip	1"	4.51"



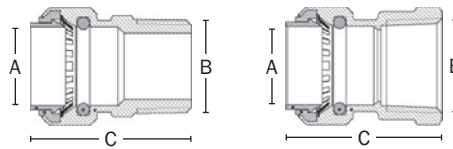
TEE & REDUCING TEE DIMENSION

A (nominal)	B (nominal)	C (nominal)	D
1/2"	1/2"	1/2"	2.64"
3/4"	3/4"	3/4"	3"
1"	1"	1"	3.84"
3/4"	1/2"	1/2"	2.72"
3/4"	3/4"	1/2"	2.73"
3/4"	1/2"	3/4"	2.9"
1"	1"	3/4"	3.47"



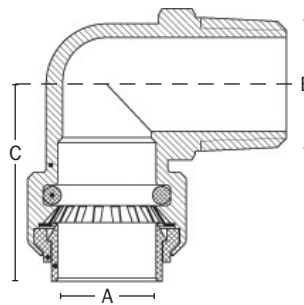
ELBOW DIMENSION

A (nominal)	B (nominal)	C
1/2"	1/2"	1.32"
3/4"	1/2"	1.36"
3/4"	3/4"	1.5"
1"	1"	1.92"



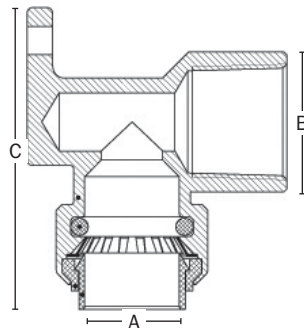
STRAIGHT ADAPTER DIMENSION

A (nominal)	B (nominal)	C
1/2"	1/2 MIP	1.71"
3/4"	3/4" MIP	1.83"
1/2"	3/4" MIP	1.73"
1"	1" MIP	2.04"
1/2"	1/2" FIP	1.67"
3/4"	3/4" FIP	1.77"
1/2"	3/4" FIP	1.65"
1"	3/4" FIP	2"
1"	1" FIP	2.18"



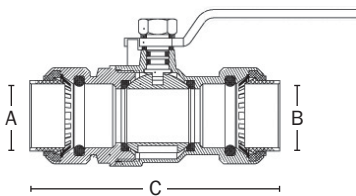
ELBOW ADAPTER DIMENSION

A (nominal)	B (nominal)	C
1/2"	1/2" MIP	1.28"
1/2"	1/2" FIP	1.32"



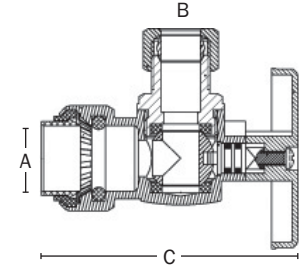
DROP-EAR ELBOW DIMENSION

A (nominal)	B (nominal)	C
1/2"	1/2" FIP	1.94"



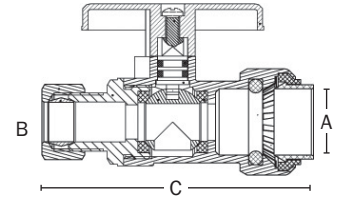
BALL VALVE DIMENSION

A (nominal)	B (nominal)	C
1/2"	1/2"	3.0"
3/4"	3/4"	3.5"
1"	1"	4.0"



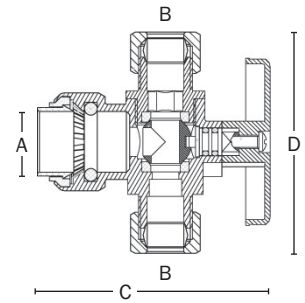
ANGLE QUARTER-TURN STOP VALVE DIMENSION

A (nominal)	B (nominal)	C
1/2"	3/8" compression	2.5"



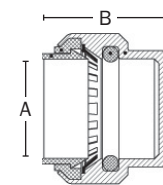
STRAIGHT QUARTER-TURN STOP VALVE DIMENSION

A (nominal)	B (nominal)	C
1/2"	3/8" compression	2.61"



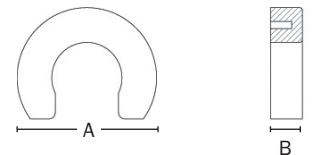
DUAL QUARTER-TURN STOP VALVE DIMENSION

A (nominal)	B (nominal)	C	D
1/2"	3/8" comp.	2.43"	2.32"



TEST CAP DIMENSION

A (nominal)	B
1/2"	1.02"
3/4"	1.11"
1"	1.43"



DISCONNECT TOOL DIMENSION

Size	A	B
1/2"	1.16"	0.33"
3/4"	1.69"	0.39"
1"	1.95"	0.41"