

- R89-1DEC Finish(C)  R89-1DEK Finish(K)  LG89-7DEK Finish(K)  LG89-8DEK Finish(K)   
 R89-1DED Finish(D)  R89-1DEY Finish(Y)  LG89-7DEY Finish(Y)  LG89-8DEY Finish(Y)

- LG89-7DEC Finish(C)  LG89-8DEC Finish(C)   
 LG89-7DED Finish(D)  LG89-8DED Finish(D)

## Specifications

- Trim Only, Valve Not Included

### Features

- 1.8 GPM Flow Rate
- Multi-Function Shower Head (Penetrating Massage, Rain Spray/Invigorating Spray Combo, Champagne/Rain Combo, Champagne)
- Requires OX8 or JX8 Valve
- SecurePfit™ Trim
- Valve Only (1DE Only)
- Shower Only (7DE Only)
- Tub and Shower (8DE Only)
- Pforever Warranty®

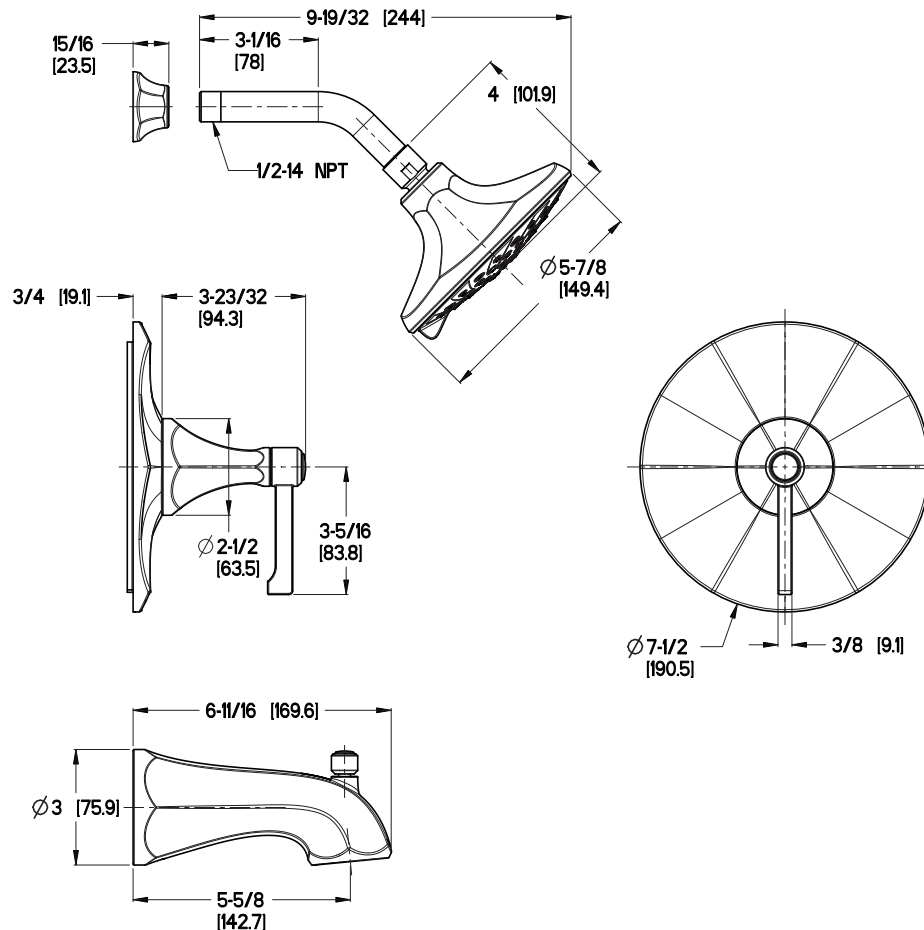
### Code Compliance

Pfister products are designed and manufactured in compliance with the following standards and codes:

- IAPMO Certified
- CSA B125 Certified
- ASME A112.18.1
- Cal Green Compliant
- CEC Compliant
- ADA Compliant-ANSI A117.1 (Lever handles only)
- EPA WaterSense Certification 1.8 gpm, 6.8L/Min



## Dimensions



Ø1 Min to Ø1-1/2 Max. Deck Hole Openings