

Lead Free Brass Boiler Drain

Crimp PEX Connection • 125 WOG



T-624G

Features

- Manufactured in ISO-9001 facility
- Wetted surfaces contain less than .25% lead content

Approvals

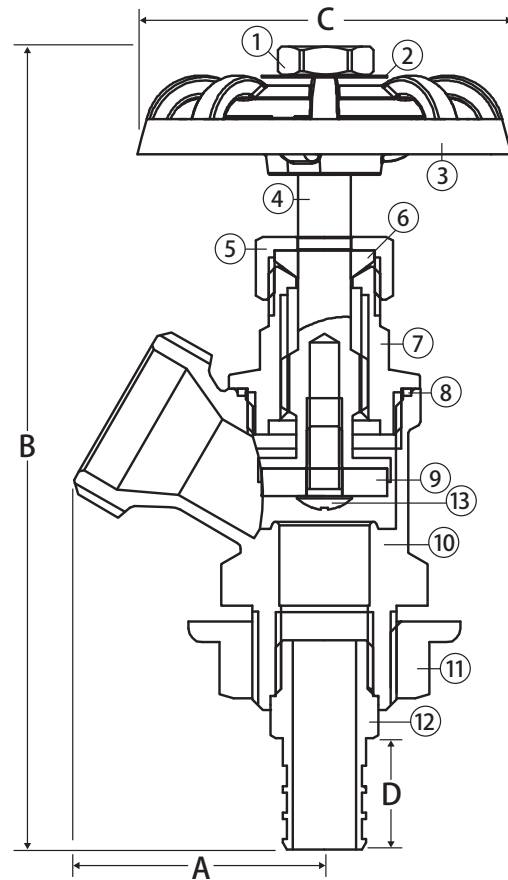
- Lead Free Compliant
- ANSI B1.20.7
- ASTM FM1807

Pressure Rating

- 125 WOG



WARNING: This product can expose you to chemicals including lead, which is known to the State of California to cause cancer, and lead, which is known to the State of California to cause birth defects or other reproductive harm. For more information go to www.P65Warnings.ca.gov.



Material Specifications

No.	Part	Materials
1	Nut	304 Stainless Steel
2	Nameplate	Aluminum
3	Handle Wheel	Cast Iron
4	Stem	Lead Free Brass C46500
5	Compression Nut	Brass C37700
6	Gasket	PTFE
7	Bonnet	Lead Free Brass C46500
8	Gasket	PTFE
9	Seal Gasket	EPDM
10	Body	Lead Free Brass C46500
11	Plastic Nut	ABS Plastic
12	PEX End Connection	Lead Free Brass C46500
13	Screw	304 Stainless Steel

Dimensions

Part No.	Size	A	B (Open)	C	D
201-123G	1/2"	1.50	4.61	2.10	0.63