

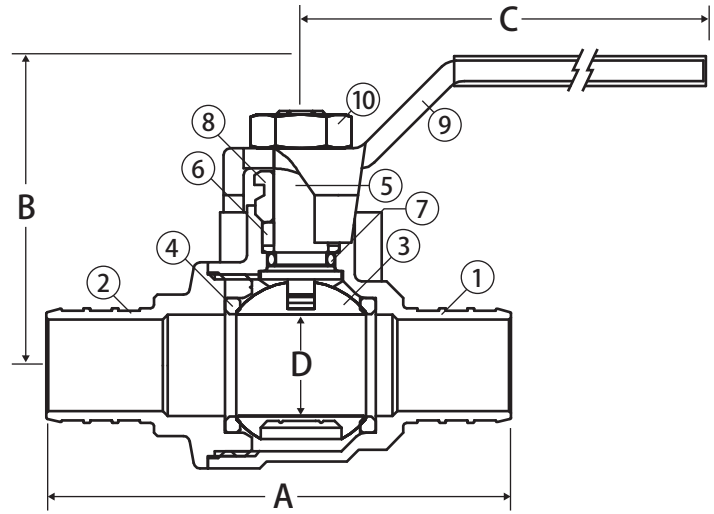
# Lead Free Brass Ball Valve



2 Piece • Crimp Pex Connection • 400 WOG



T-412G



## Features

- Dezincification resistant brass
- Gland follower and single o-ring stem design
- Blow-out proof stem
- 100% leak tested
- Wetted surfaces contain less than .25% lead content

## Approvals



- ASTM F1807
- RoHS Compliant
- IAPMO Certified
  - NSF 61-8
  - NSF 372
  - Uniform Plumbing Code (cUPC)
    - IAPMO/ANSI Z1157-2014
    - NSF/ANSI 14-2014

## Pressure Rating

- Body rated to 400 WOG
- Crimp connection rated to 100 WOG up to 180°F

## Material Specifications

No.	Part	Materials
1	Body	Lead Free Brass - C46500
2	End Connection	Lead Free Brass - C46500
3	Ball	Chrome Plated Lead Free Brass - C46500
4	Seat (2)	PTFE
5	Stem	Lead Free Brass - C46500
6	Packing	PTFE
7	Stem O-ring	EPDM
8	Packing Gland	Lead Free Brass - C37700
9	Handle	Steel
10	Handle Nut	SS304 Stainless Steel

## Dimensions

Part No.	Size	A	B	C	D
103-523PG	1/2"	2.47	1.50	3.41	0.47
103-524PG	3/4"	2.72	1.57	3.36	0.67
103-525PG	1"	3.27	1.57	3.15	0.86
103-526PG	1-1/4"	3.62	2.16	4.29	0.86
103-527PG	1-1/2"	4.29	2.38	4.29	1.04
103-528PG	2"	5.57	2.64	4.29	1.37



WARNING: This product can expose you to chemicals including lead, which is known to the State of California to cause cancer, and lead, which is known to the State of California to cause birth defects or other reproductive harm. For more information go to [www.P65Warnings.ca.gov](http://www.P65Warnings.ca.gov).