

BATHROOM
Targa Floor-Mounted Vessel Filler
w/Deck-Mtd Handles
G-3615-C14

GRAFF[®]

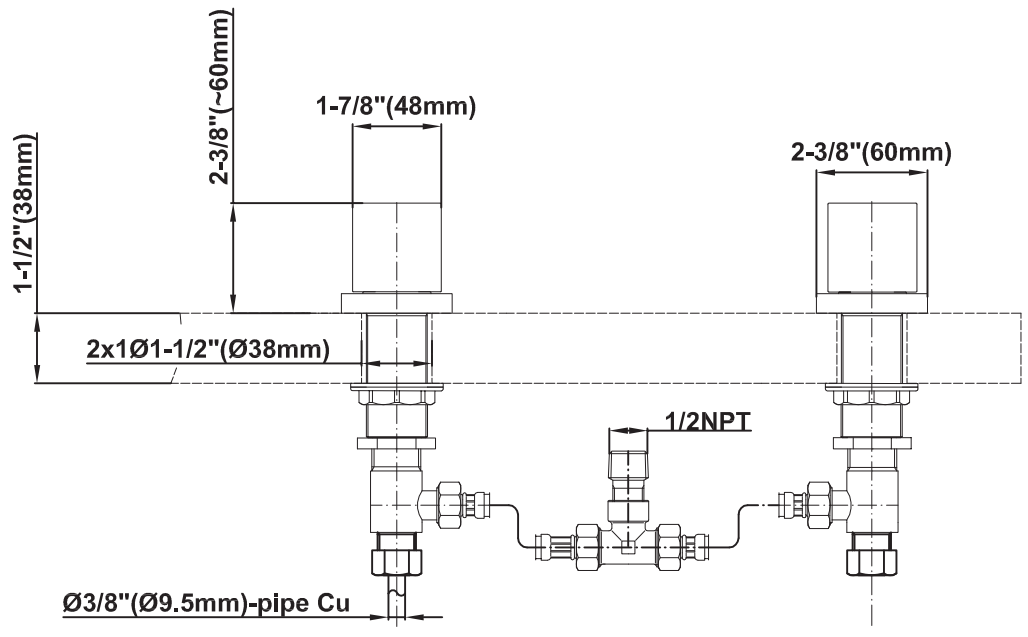
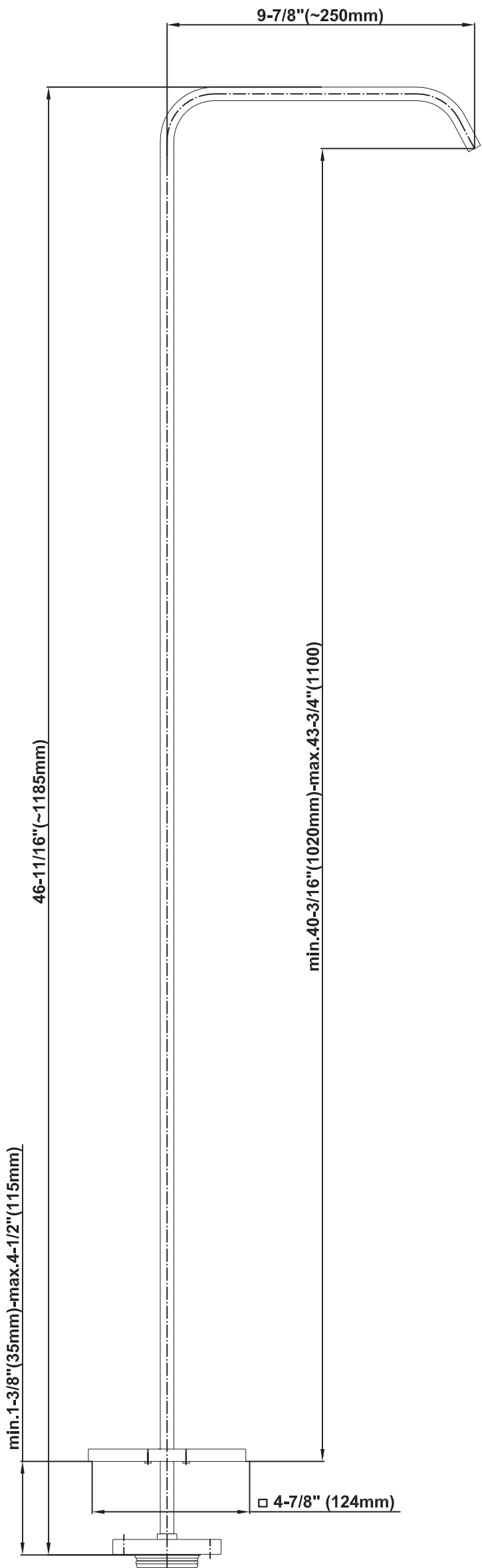


Information

- Floor-mount installation
- Aerated flow rate \leq 1.2 max gpm
- 9-7/8" spout reach
- 45-3/8" ~ spout height
- Drain assembly not included
- Handles are required to install rough
- CALGreen

G-3615

TARGA Series



BATHROOM
Sade/Targa/Luna Lavatory Handle
Set - Deck-Mounted
C14-VS

GRAFF®



Finishes



24K Gold



24K Brushed
Gold



Architectural
Black™



Brushed
Nickel



Matte Black



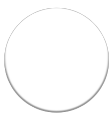
Polished
Chrome



Polished
Nickel



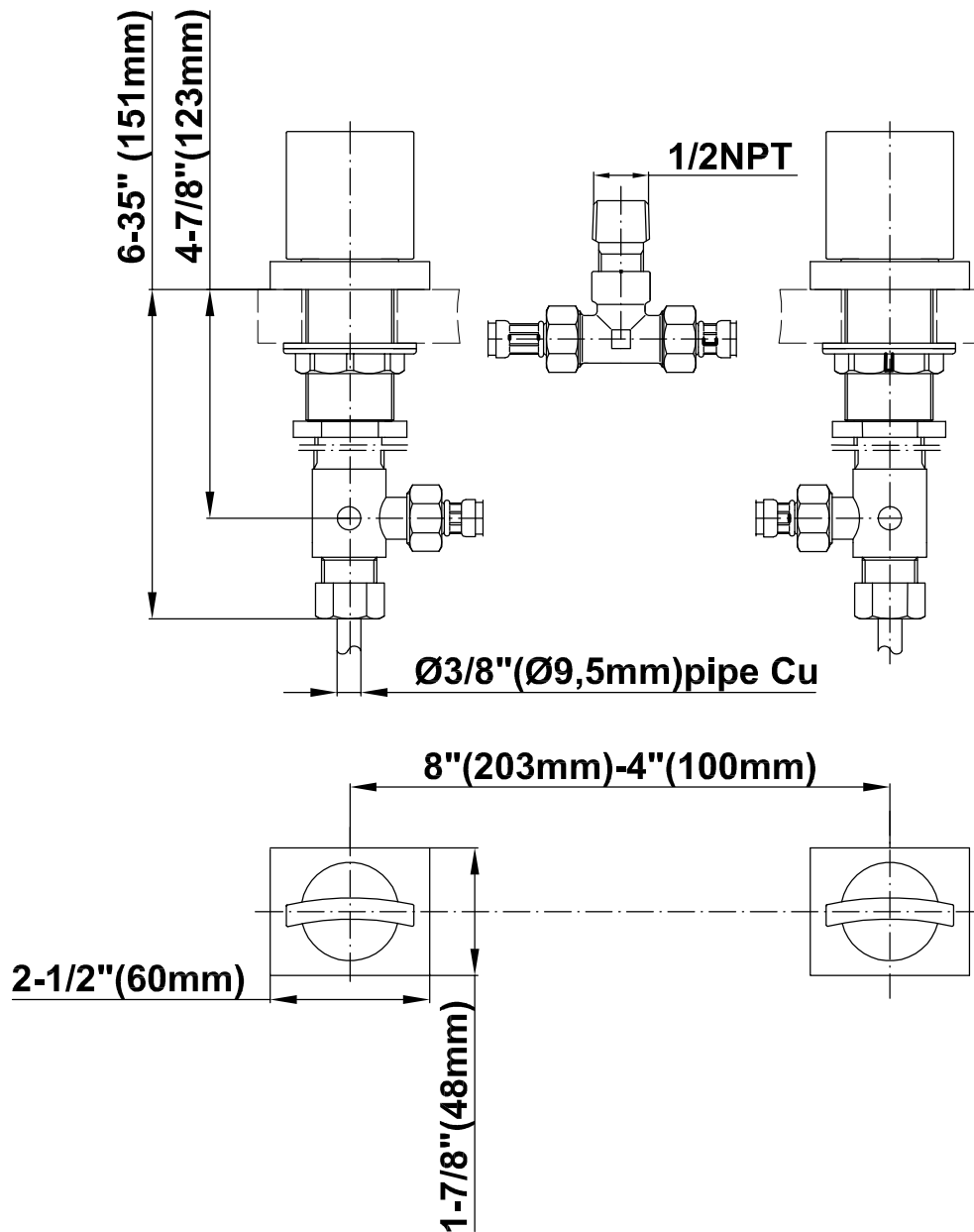
Steelnox®
(Satin Nickel)



Architectural
White

C14-VS

SADE, TARGA, LUNA Series



BATHROOM
Spout Connection Rough
G-1050

GRAFF®



Finishes



24K Gold



24K Brushed
Gold



Architectural
Black™



Brushed
Nickel



Matte Black



Polished
Chrome



Polished
Nickel



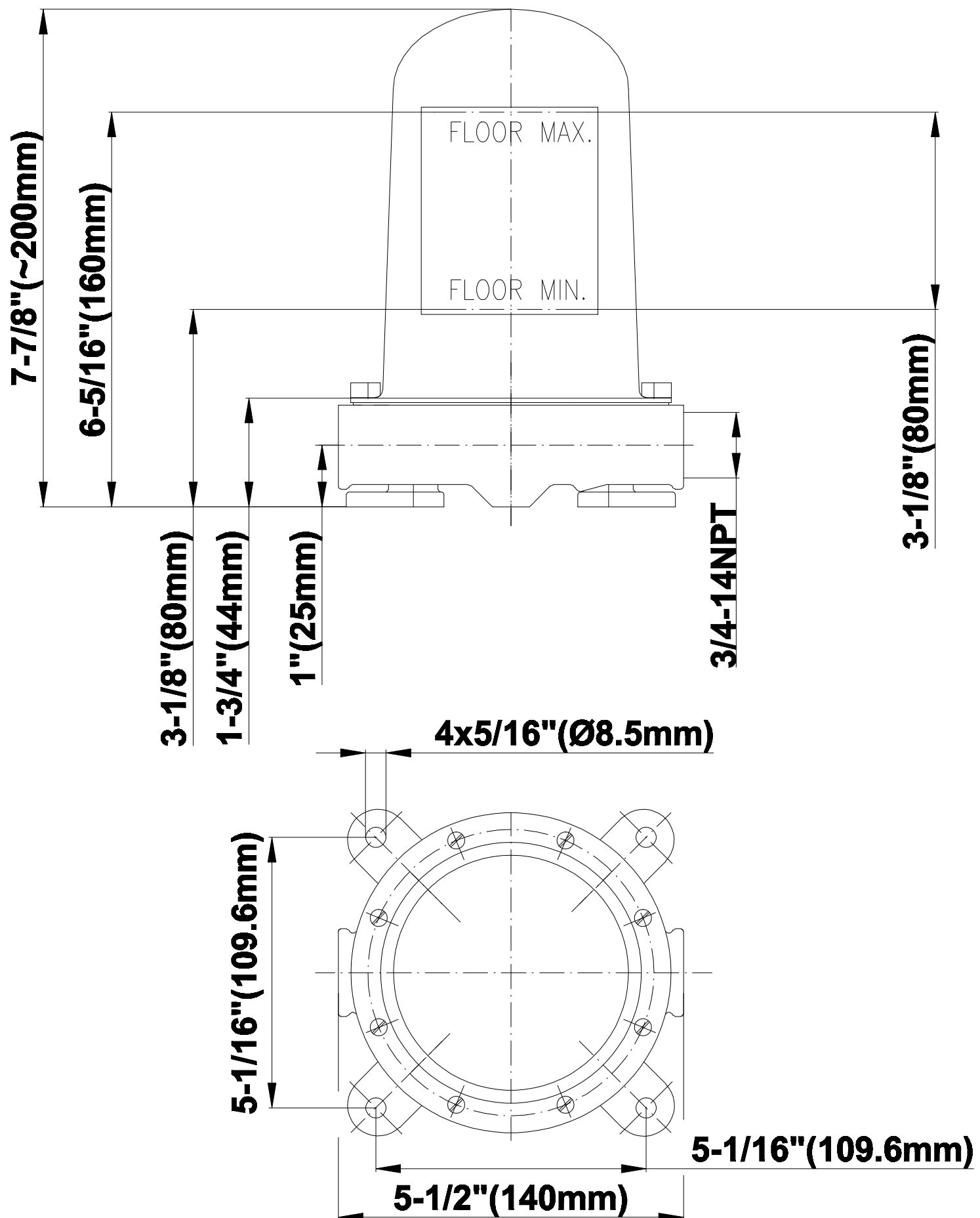
Steelnox®
(Satin Nickel)



Architectural
White

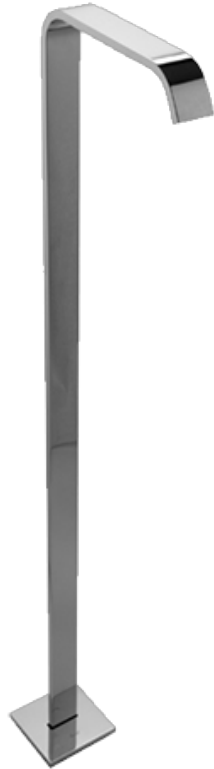
G-1050

Rough



BATHROOM
Targa Floor-Mounted Vessel Filler
- Spout Only
G-3615-T

GRAFF®



Information

- Floor-mount installation
- Aerated Flow Rate ~2.2 gpm @60 psi
- 9-7/8" spout reach
- 45-3/8" ~ spout height
- Drain assembly not included

Finishes



24K Gold



24K Brushed
Gold



Architectural
Black™



Brushed
Nickel



Matte Black



Polished
Chrome



Polished
Nickel



Steelnox®
(Satin Nickel)



Architectural
White

G-3615-T-SPOUT

TARGA Series

